

1U4 DISK SLOT SERIES SERVER CHASSIS

Product Manual V2.0

CONTENTS

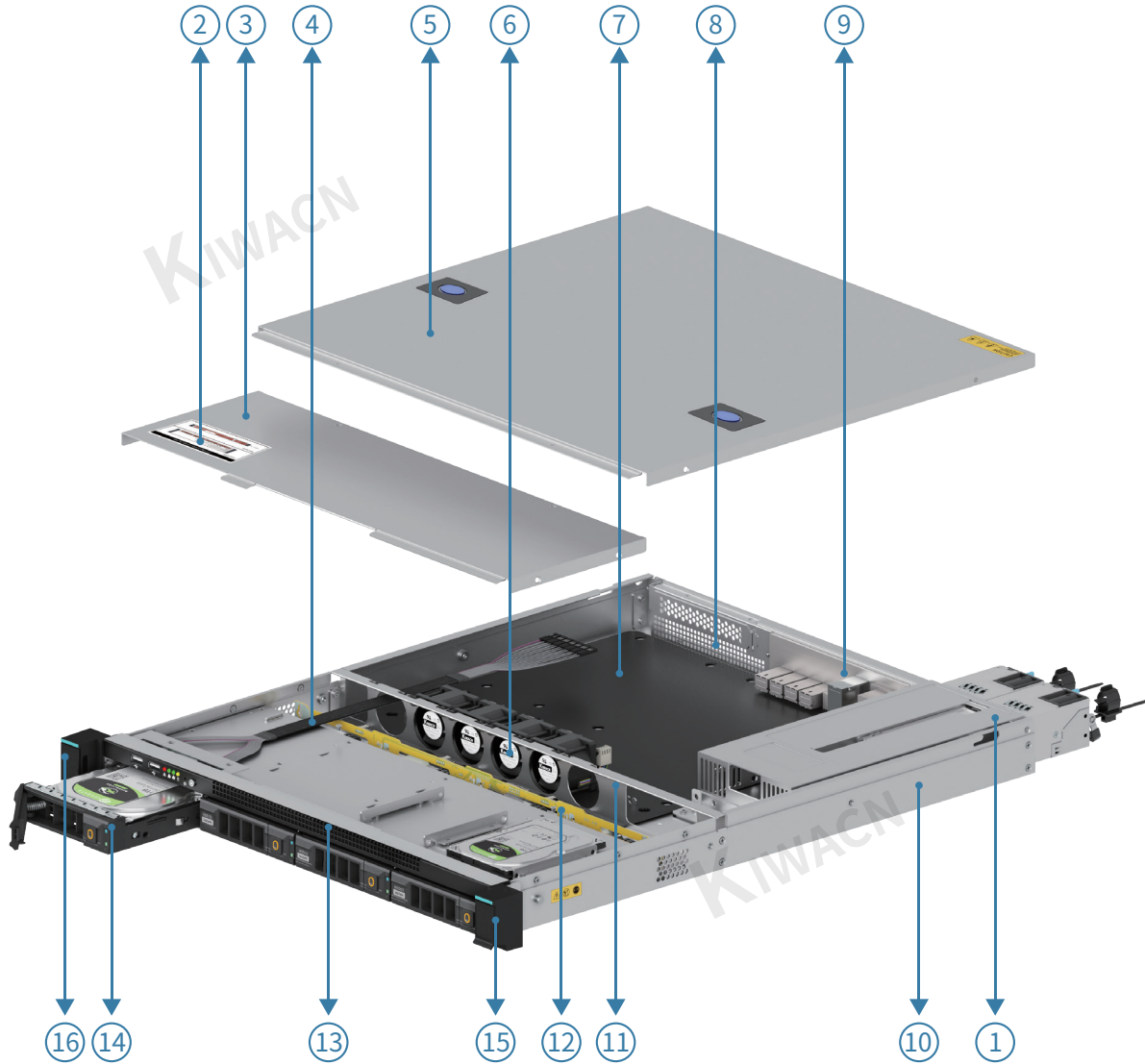
Chapter 1: Product Introduction.....	00
1.1 Product features.....	02
1.2 Chassis Structure.....	03
1.3 Description of Front Panel and Hard Drive Bay.....	04
1.3.1 Front Panel and Indicator Lights.....	05
1.3.2 Hard Drive Installation and Hard Drive Tray Indicator Light Instructions.....	06
1.4 Hard Drive Backplane.....	06
1.4.1 4-Bay Direct Attached Backplane.....	06
Chapter 2: Product Appearance.....	07
2.1 Chassis Structure.....	07
2.1.1 Chassis Diagram.....	07
2.1.2 Server Chassis Images.....	08
2.1.3 Server Dimensions.....	09
Chapter 3: Product Loading and Unloading.....	10
3.1 Removal of the Rear Top Cover.....	10
3.1.1 Disassembly Steps.....	10
3.2 Installation of the Power Supply.....	11
3.2.1 Installation Steps.....	11
Chapter 4: Product Loading.....	12
4.1 Product Packaging.....	12
Chapter 5: Product and Rail Installation.....	13
5.1 Install inner rails on both sides of the chassis.....	13
5.2 The chassis is mounted into the rack.....	13
Chapter 6: Accessory Name and Part Number.....	14
6.1 Chassis Accessories List.....	14
6.2 Optional Accessories List.....	15

Chapter 1: Product Introduction

1.1 Product Features

Product Code	K21004	K21007
Chassis Category	1U Rack mount	
Material	1.2mm SGCC(Taiwan)	
MB Form Factor	ATX (12" x 9.6")	Extended ATX (12" x 13")
Dimensions (D*W*H)	550x435x44 (mm)	650x435x44 (mm)
Drive Bays	3.5"Hot-swap: 4 , Internal 2.5": 2	3.5"Hot-swap: 4 , Internal 2.5": 2
PSU Form Factor	1U Single or 1+1 Redundant	1U Single or 1+1 Redundant
Indicators	1 x Power Status, 1 x HDD Activity , 2 x LAN Activity,	
Front Control	Power On/Off, System Reset, 2 x USB 2.0	
Cooling Fans	Middle: 4 x 4028 Rear inside: 2 x 4028(Optional)	
Expansion Slots	1 x Full Height PCIE 3.0 1 * 16X(option) 1 x Full Height PCIE 3.0 1 * 8X(option)	
Riser card module	4-port 6Gb/s - SAS , 4-port 12Gb/s - SAS(Optional), three model (nvme/u.2/12gb/s) backplane(Optional)	
Rack rails	P/N:0304100005(Optional)	
Net Weight	6.8kg	7.5kg
Gross Weight	9.1kg	
Package size(D*W*H)	720x600x150mm	

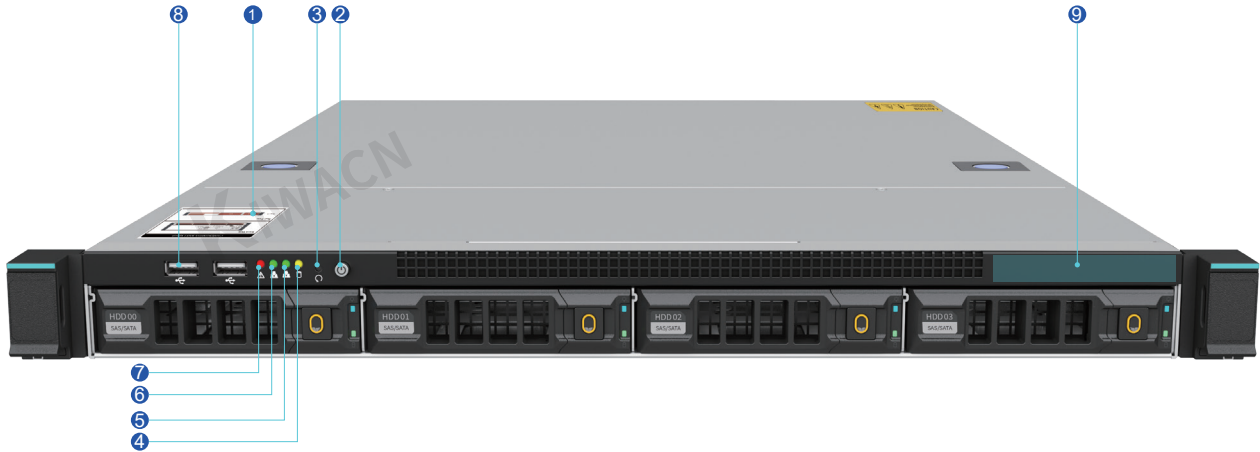
1.2 Chassis Structure



- | | |
|---------------------------------------|---|
| 1. Power supply installation position | 9. I/O Shield(Customization Optional) |
| 2. Chassis Layout Diagram Sticker | 10. Base |
| 3. Front Cover | 11. Fans Wall |
| 4. Switch Cable | 12. Hard Drive Backplane |
| 5. Rear Cover | 13. Front Panel |
| 6. 4028 Fans | 14. 3.5-inch Hard Drive Tray
(Supports 2.5-inch Hard Drives) |
| 7. Motherboard Gasket | 15. Right Bracket Assembly(M:Aluminum Alloy) |
| 8. Rear Window Assembly | 16. Left Bracket Assembly(M:Aluminum Alloy) |

1.3 Description of Front Panel and Hard Drive Bay

1.3.1 Front Panel and Indicator Lights:



Hard Drive Installation Diagram			
HD00	HD01	HD02	HD03

- | | | |
|-----------------------------------|----------------------------------|----------------------------------|
| 1. Chassis Layout Diagram Sticker | 2. Power Button | 3. Reset Button |
| 4. HDD Indicator Light | 5. Ethernet Port Indicator Light | 6. Ethernet Port Indicator Light |
| 7. Warning Indicator Light | 8. USB Connector | 9. LOGO AREA |

Control Panel Buttons and Interface Description:

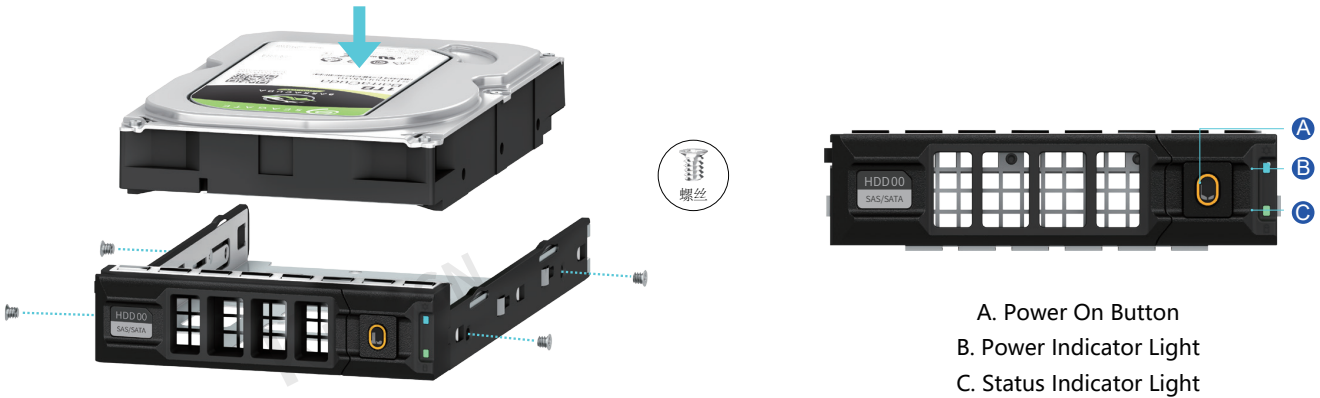
Power Button	Power button, press once to power on when the system is powered; In the powered-on state, press and hold for 5 seconds to shut down the system.
Reset Button	In the powered-on state, press once to restart the device.

Control Panel Indicator Light Explanation:

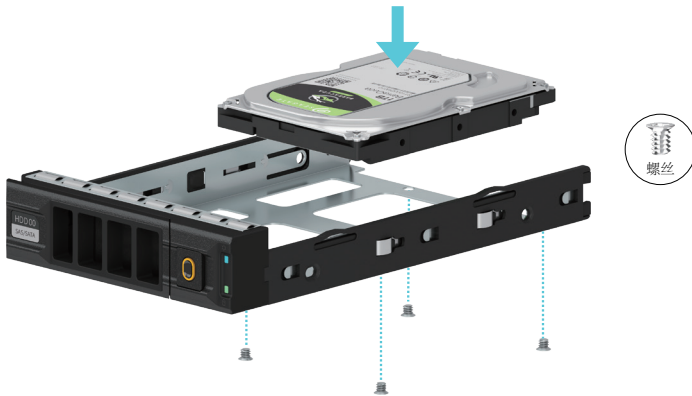
Name	Color	Status	Description
Power Light	Blue	On	The server is in the powered-on state.
UID Light	Blue	On	The server is in the located state.
Fault Indicator Light	Red	On	The server is experiencing a malfunction.
Network 1 Indicator Light	Green	On	The network connection is normal.
Network 2 Indicator Light	Green	On	The network connection is normal.
HDD Indicator Light	Yellow	On	The hard drive is in operational status.

1.3.2 Hard Drive Installation and Hard Drive Tray Indicator Light Instructions:

3.5-inch Hard Drive Installation Guide:



2.5-inch Hard Drive Installation Guide:

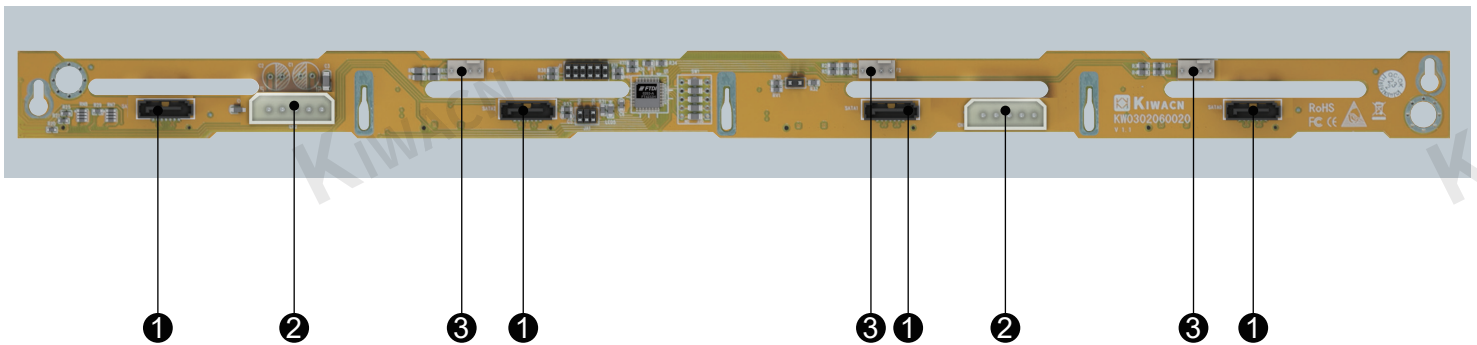


Hard Drive Tray Indicator Light Instructions	
B	Blue: Hard Drive Powered On
	Solid Green: Hard Drive in Position
C	Flashing Green: Hard Drive Activity
	Solid/Flashing Red: Hard Drive Failure

1.4 Hard Drive Backplane

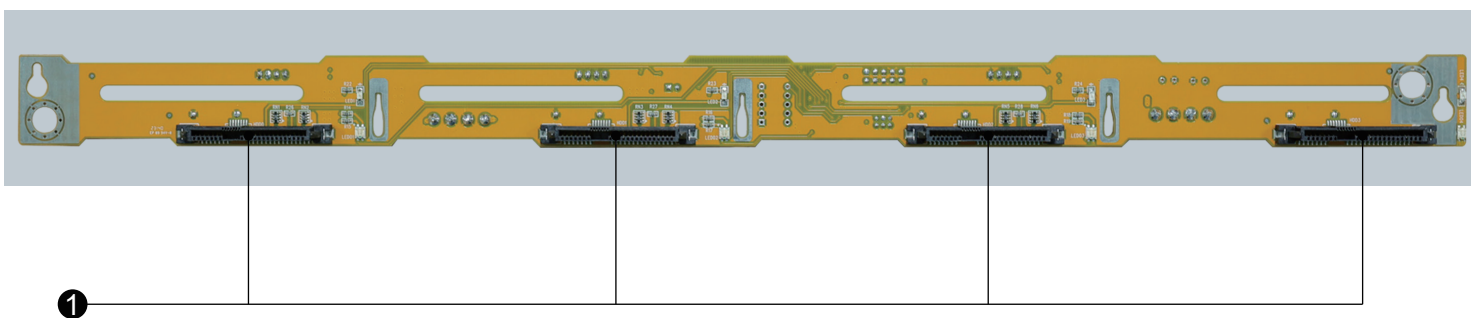
1.4.1 1U4 6GB Direct Attached Backplane

TOP Plane:



Label	Device Description	Function Description	Location Identifier
1	SATA Connector	Support SAS/SATA Hard drive hot-swappable	SATA0, SATA1, SATA2, SATA3
2	ATX 4-pin Power Connector	Backplane Power Transmission Connector for 12V Power Supply. <i>(Pay attention to the interface orientation)</i>	CN1, CN2
3	Fans Connector	Backplane Power Signal Interface	F1, F2, F3

BOTTOM Plane:

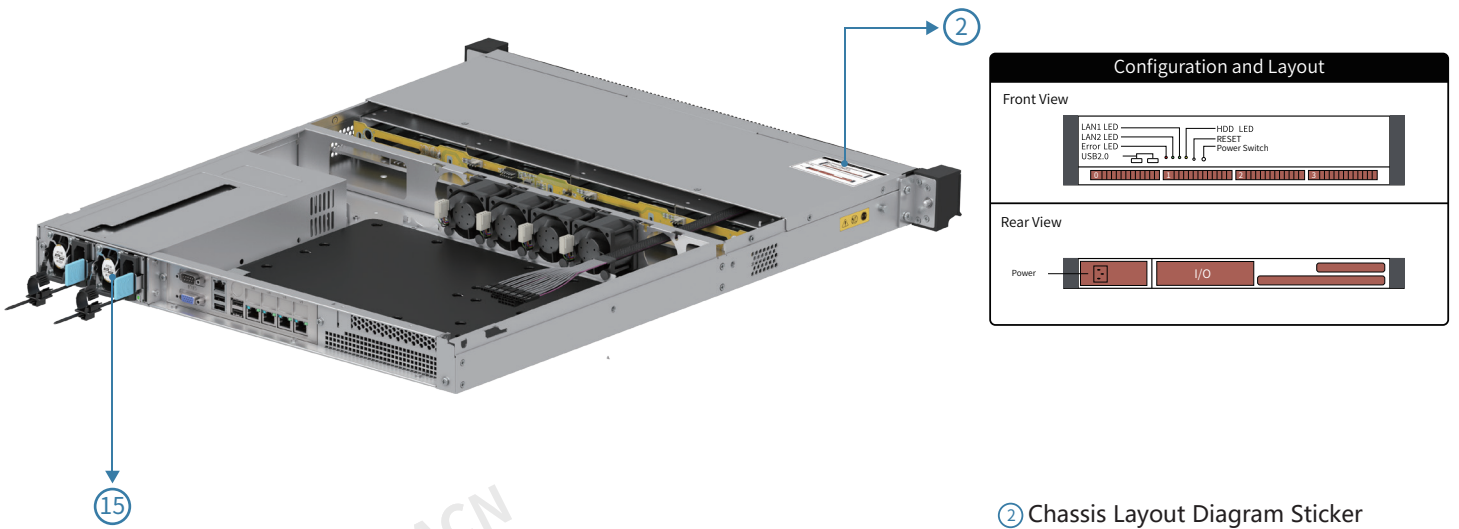
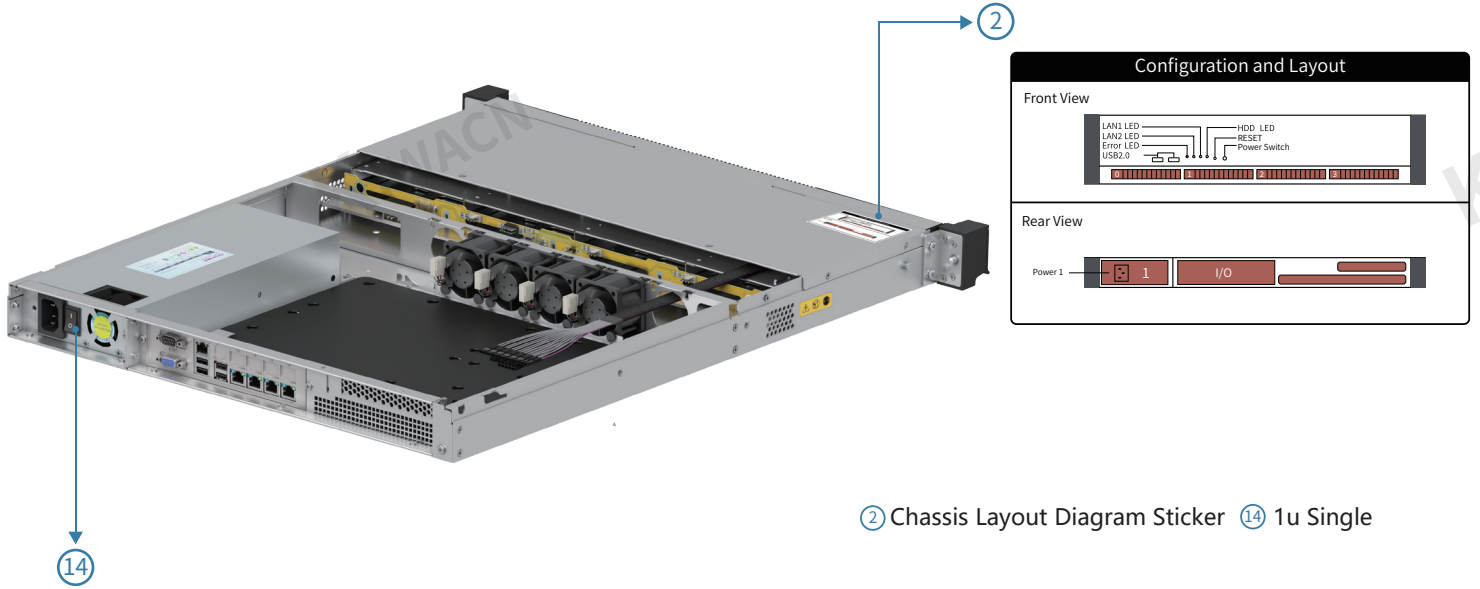


Label	Device Description	Function Description	Function Description
1	SAS/SATA Hard Drive Connector	1.Supports up to 6G/b SATA Hard Drives; 2.Supports Hot-Swappable SAS/SATA Hard Drives.	HD000, HD001, HD002, HD003

Chapter 2: Product Appearance

2.1 Chassis Structure

2.1.1 Chassis Diagram



2.1.2 Server Chassis Images



Front View

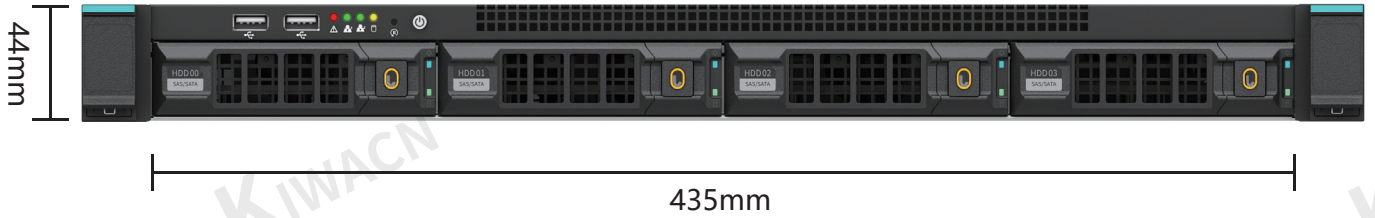


45° Side View

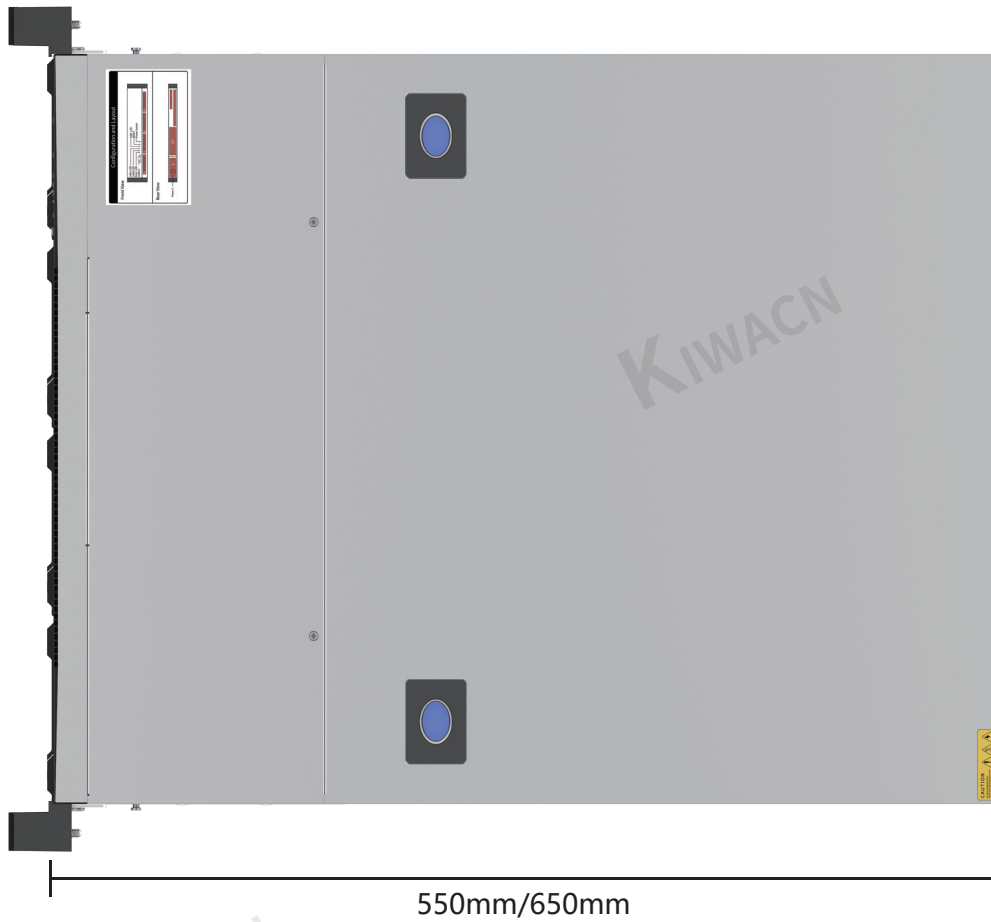


45° Rear View

2.1.3 Server Dimensions



Front View (Dimensions)

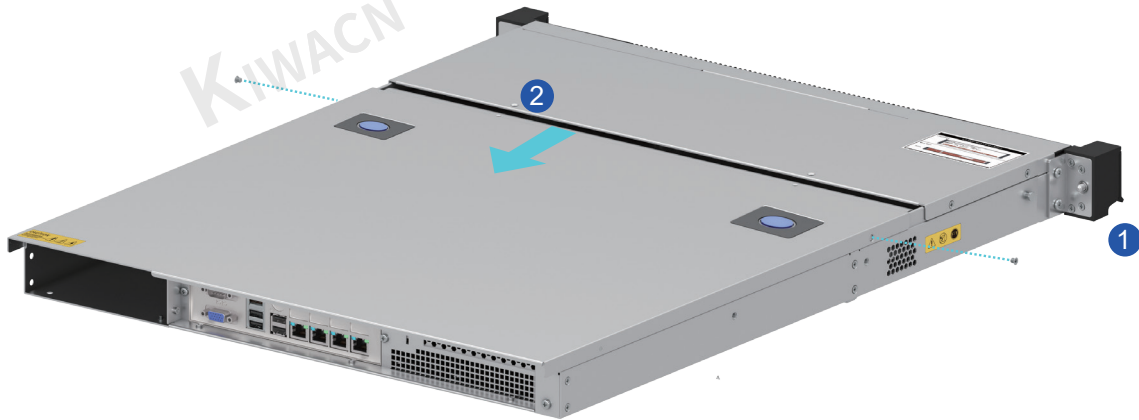


Top View (Dimensions)

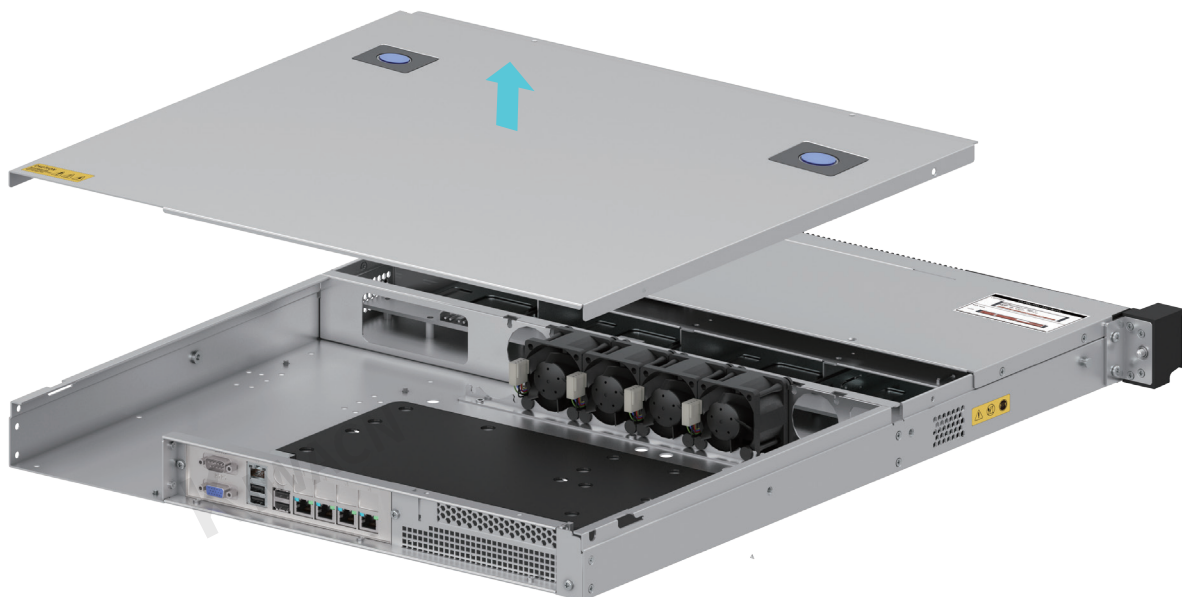
Chapter 3 Product Loading and Unloading

3.1 Installation of Optical Drive

3.1.1 Steps of Installing the Optical Drive:

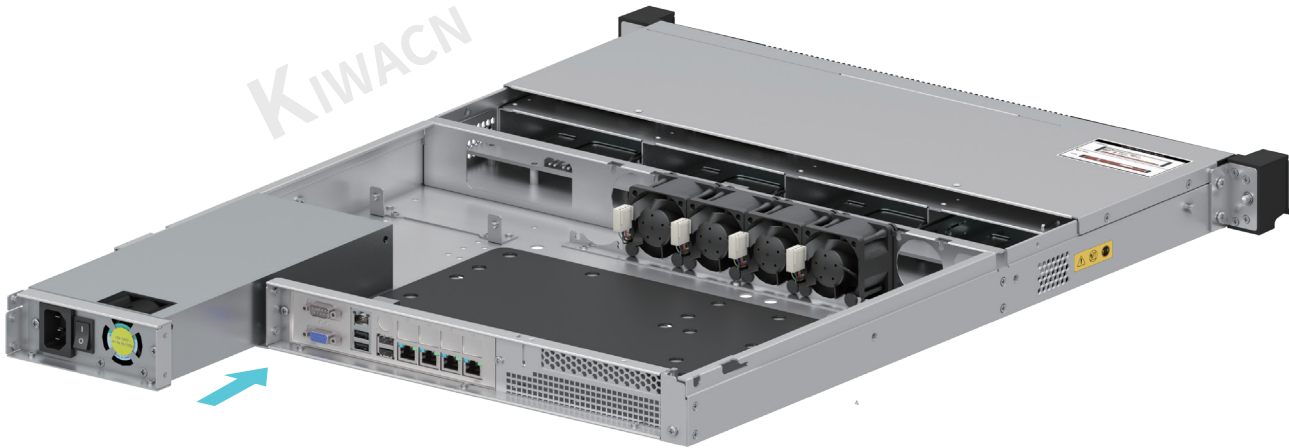


1. Loosen the screws at both ends of the upper cover as shown in the diagram, using your hands;
2. Slide the top cover towards the back in the direction of the arrow;
3. Lift off the top cover in the direction indicated by the arrow.

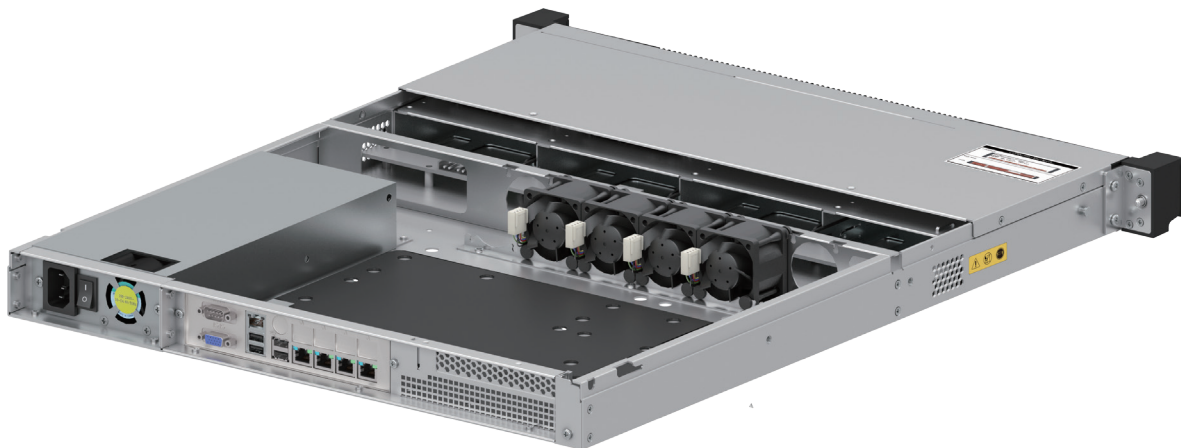


3.2 Installation of the Power Supply

3.2.1 Installation Steps :



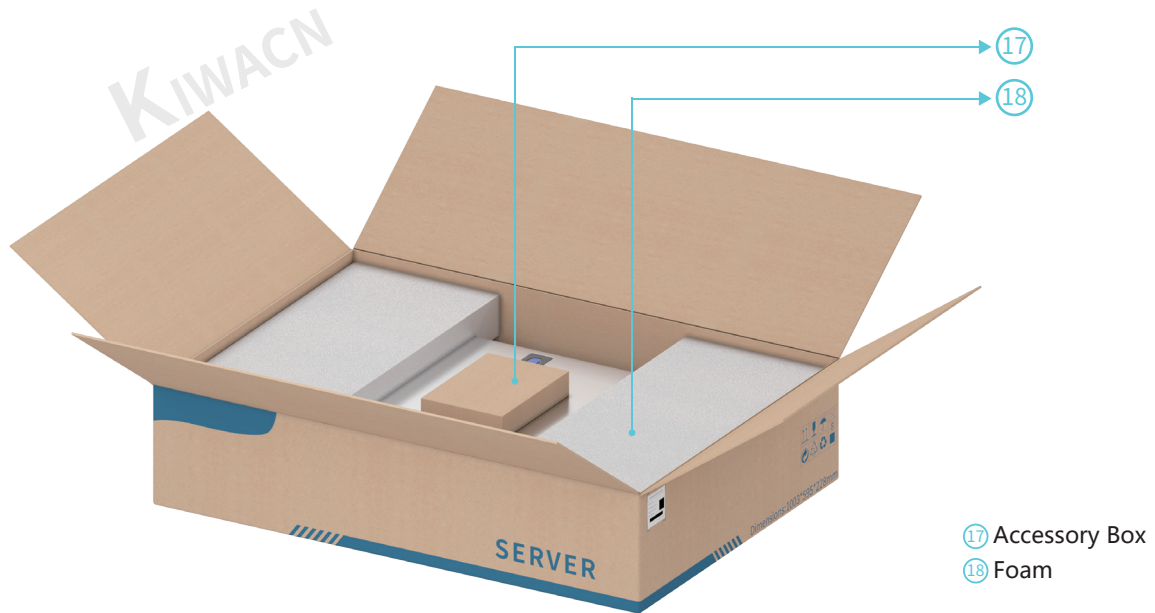
Install the power supply in the direction of the arrow



View of Installed Power Supply Unit

Chapter 4 Product Loading

4.1 Product Packaging



Place it into the suitcase



Seal the suitcase

Chapter 5 Product and Rail Installation

5.1 Install inner rails on both sides of the chassis

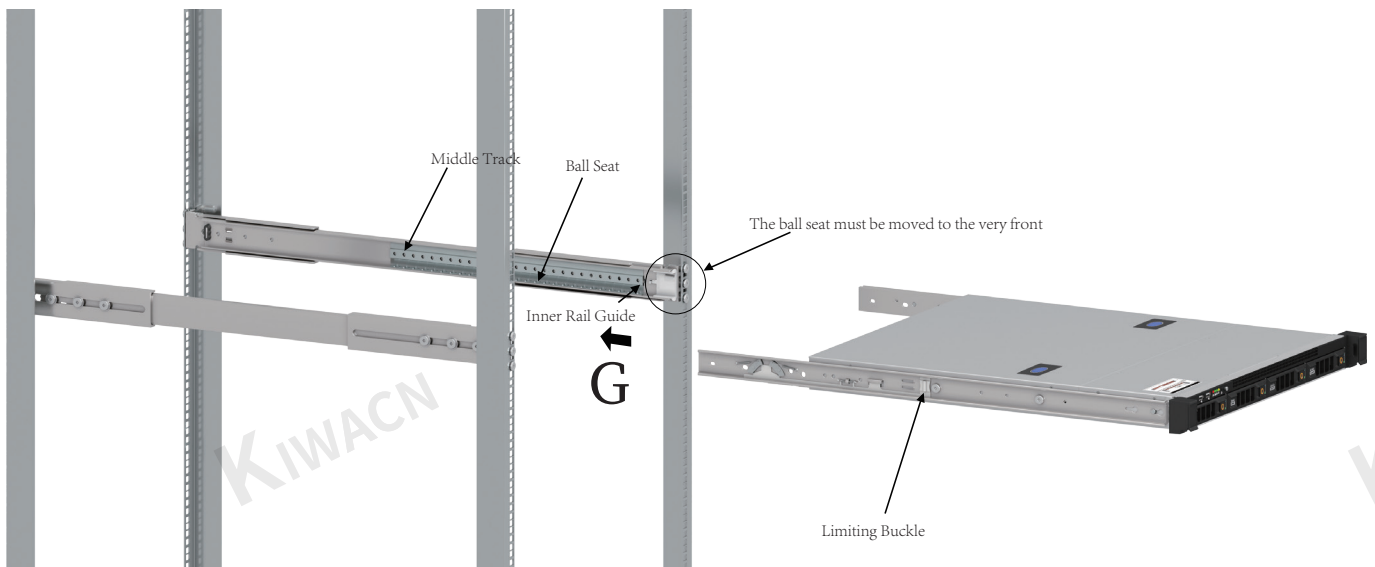
5.1.1 Use screws according to the direction to fix the inner guide rail on the side wall of the chassis.



5.2 The chassis is mounted into the rack

(Note: Depending on the weight of the chassis, this step requires the cooperation of 2 to 4 people.)


- 5.2.1 First, move the ball seat to the front end of the middle track. Then, along the G direction, horizontally insert the inner rail of the chassis into the ball seat.
- 5.2.2 When installing the rails, ensure that both sides of the server are kept level, and insert the inner rails simultaneously in a horizontal direction.
- 5.2.3 Ensure that the inner rails have entered the guides and ball seats before proceeding to push them into the chassis.
- 5.2.4 Only release the chassis after confirming that the inner rails have entered at least half of the ball seats.
- 5.2.5 There is a limiting buckle on the inner rail. When pushing it into the second section, you need to flip this buckle to enter the third section for complete closure.
- 5.2.5 If you find that the inner rails have not entered the ball seats, please repeat the above steps. If necessary, you can use your hand to assist the inner rails into the ball seats.
- 5.2.6 Unlock both levers on the sides, then push the chassis to fully close it. Perform at least one complete open and close cycle of the chassis to ensure the slides are correctly installed.



Note: Please make sure to insert horizontally in this direction. Otherwise, it may damage the ball seats and cause the slides to not function properly.

Chapter 6 Accessory Name and Part Number

6.1 Accessories and Material Numbers(Parts Box P/N:0201070009)

No.	Part No.	Name	Photograph	Quantity
01	P/N: 0305010001	2.5-inch hard drive screws (Compatible with 3.5-inch hard drive bay)		8
02	P/N:0305010031	3.5inch hard drive screws		16
03	P/N:0305010124	2.5-inch Hard drive retaining screws		8
04	P/N:0305070001	Motherboard heightening column		12
05	P/N:0305010203	Motherboard screws		12
06	P/N:0202110015	2.5Hard drive holder (2U8)		4
07	P/N:0305010125	Fixed single power/ATX		2
08	P/N:0305010025	Fixed redundancy		6
09	P/N:04.02.0009	hard drive sticker (00-11)		1

6.2 Optional Accessories List

(visit the website for the detail parameter: <https://kiwaworld.com/product/10.html>)

No.	Part No.	Name	Photograph
01	P/N:0302050001	1u/riser card (PCIE8X TO PCIE8X)	
02	P/N:0302050002	1u/riser card (PCIE16X TO PCIE16X)	
03	P/N:0304090001	SAS (8643) cable	
04	P/N:0302060031	4bays three models (nvme/u.2/12GB backplane)	
05	P/N:0302060026	4bays 12BG backplane	
06	P/N:0304090026	NVME cable (8654 4i to 8i)	
07	P/N:0304090012	SAS (8643) cable	
08	P/N:03.04.01.0001	1u Single 400w	
09	P/N:03.04.01.0002	1u(1+1) Redundant 450w	
10	P/N:0304100005	slide rail	
11		I/O Bezel	Please provide motherboard information for customization